

# **VE** veleco

Luxury Medical Devices



**EN**

# CRISTAL



available colours:



LED



CE



OPTIONAL SOLID TYRES

Do you live in the area with uneven terrain, that only **CRISTAL** electric mobility scooter, a 3-wheeler with full suspension vehicle can tackle? **CRISTAL** from Veledo is an electric mobility scooter equipped with 1000 W motor, which can easily deal with any kind of road obstacle. Available in three luxurious colours: black, silver and white. It is well suited for all refined users.

*The scooter comes **assembled and ready to go!*** 



# SPECIFICATIONS

## OVERVIEW

Max user weight: 160 kg / 25.2 st  
Scooter weight: 120 kg / 264.6 lbs  
Hill climbing ability: 17°  
Maximum range on single charge:  
40-60 km / 24.9-37.3 mi  
Speed of response: Low  
Maximum speed: 8 mph / 12 km/h  
Acceleration system: Right-hand  
scooter throttle  
Seat adjustment: Yes  
Suspension: Full  
Compliant with DVLA requirements:  
Yes  
Scooter class: Class-3  
Vehicle autonomy: Level 0  
Optimal air humidity for storage and  
use: 30%  
Working temperature of electronic  
parts: -10 °C to +40 °C  
Turning radius: 224 cm / 88.2"

## MOTOR

Power: 1000 W  
Voltage: 60 V

## BATTERY

Type: Lead-Acid  
Capacity: 20 Ah  
Voltage: 60 V  
Life cycle: 600 full charges  
Charge time: ≈8 h

## BRAKES

Front: Drum  
Rear: Drum  
Magnetic brake: No

## WHEELS

Amount: 3  
Type of tyres: Pneumatic tubeless  
Size: 3.00-10"  
Tyre pressure: 2.25 bar / 225 kPa / 32.5  
PSI

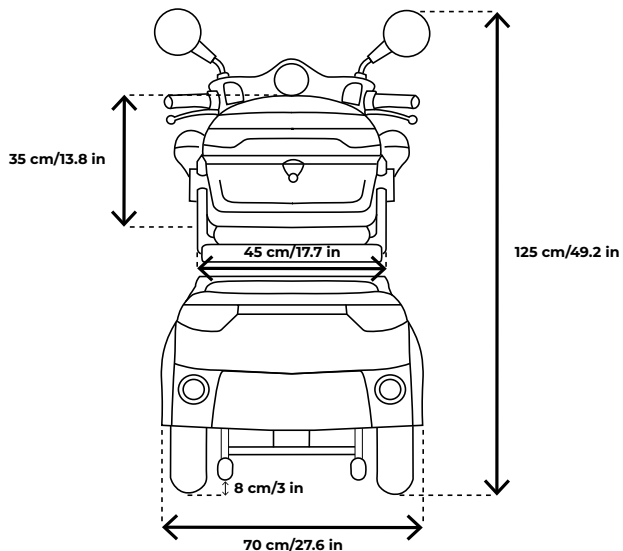
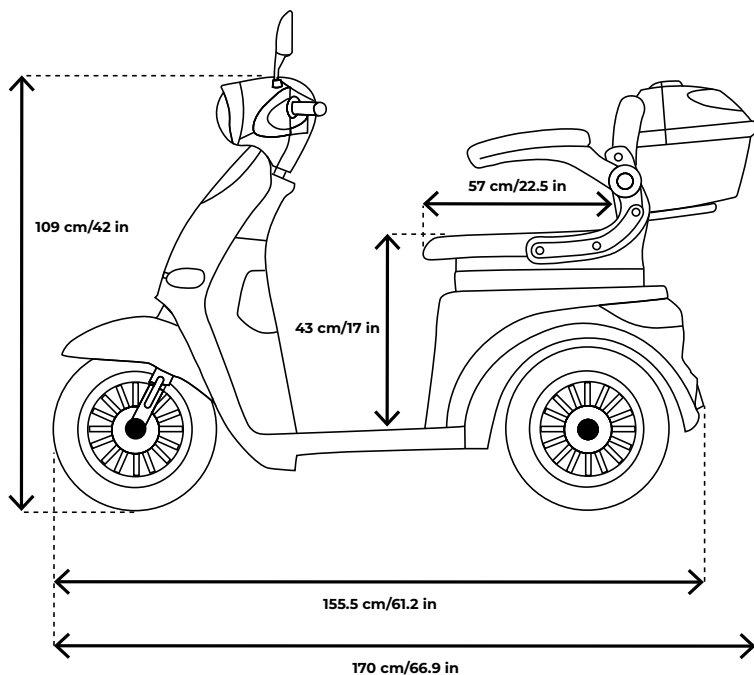
## LIGHTS

Low beam headlight: H51  
High beam headlight: H51  
Position lights: LED (integrated with  
lamp)  
Front and rear signal lights: LED (in-  
tegrated with lamp)  
Brake light: LED (integrated with  
lamp)  
Hazard lights: LED (integrated with  
lamp)  
Registration plate light: LED (integra-  
ted with lamp)

## FEATURES

Horn  
Rearview mirrors  
Steering wheel lock  
Parking brake  
Analogue display  
USB port  
Anti-tipping safety wheels

# CRISTAL





[sales@veleco.pl](mailto:sales@veleco.pl)



+48 34 350 80 44

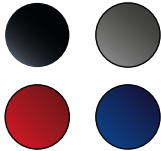


[veleco.eu](http://veleco.eu)

**veleco**  
Luxury Medical Devices

# DRACO

available colours:



LED



OPTIONAL CAPTAIN SEAT



OPTIONAL SOLID TYRES

Congratulations on finding the best electric mobility scooter with the most reliable batteries. Our **DRACO** model is the highest quality, top of the line mobility scooter, which won Quality International Award in 2020. Accelerated with the push of a button, this model was manufactured in mind with elders, young and everyone else who cannot operate a regular scooter acceleration system. Don't wait, order now and venture forth on a journey at full capacity.

*The scooter comes **assembled and ready to go!*** 



# SPECIFICATIONS

## OVERVIEW

Max user weight: 160 kg / 25.2 st  
Scooter weight: 103 kg / 227.1 lbs (w/  
Lead-Acid battery), 88 kg / 194 lbs (w/  
Lithium-Ion battery)  
Hill climbing ability: 17°  
Maximum range on single charge: 45-  
50 km / 28-31.1 mi  
Speed of response: Low  
Maximum speed: 8 mph / 12 km/h  
Acceleration system: Acceleration  
button  
Seat adjustment: Yes  
Suspension: Full  
Compliant with DVLA requirements: Yes  
Scooter class: Class-3  
Vehicle autonomy: Level 0  
Optimal air humidity for storage and  
use: 30%  
Working temperature of electronic  
parts: -10 °C to +40 °C  
Turning radius: 165 cm / 65"

## MOTOR

Power: 800 W  
Voltage: 48 V

## BATTERY

Type: Lead-Acid (can be upgraded to  
Lithium-Ion)  
Capacity: 20 Ah  
Voltage: 48 V  
Life cycle: 600 full charges  
Charge time: ≈8 h

## BRAKES

Front: Drum  
Rear: Drum  
Magnetic brake: Yes

## WHEELS

Amount: 3  
Type of tyres: Pneumatic tubeless  
Size: 3.00-10"  
Tyre pressure: 2.25 bar / 225 kPa / 32.5  
PSI

## LIGHTS

Low beam headlight: LED (integrated  
with lamp)  
High beam headlight: LED (integrated  
with lamp)  
Position lights: LED (integrated with  
lamp)  
Tail lights: LED (integrated with lamp)  
Front and rear signal lights: P21/5 W  
LED / R10W 12V  
Brake light: P21/5 W LED  
Hazard lights: P21/5 W LED / R10W 12V

## FEATURES

Horn  
Rearview mirrors  
Steering wheel lock  
Parking brake  
Digital display  
Stick holder  
USB Port  
Alarm  
Remote control  
Anti-tipping safety wheels



sales@veleco.pl



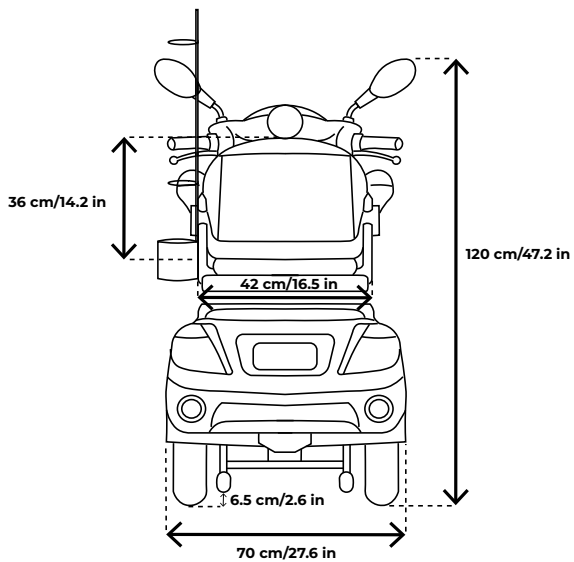
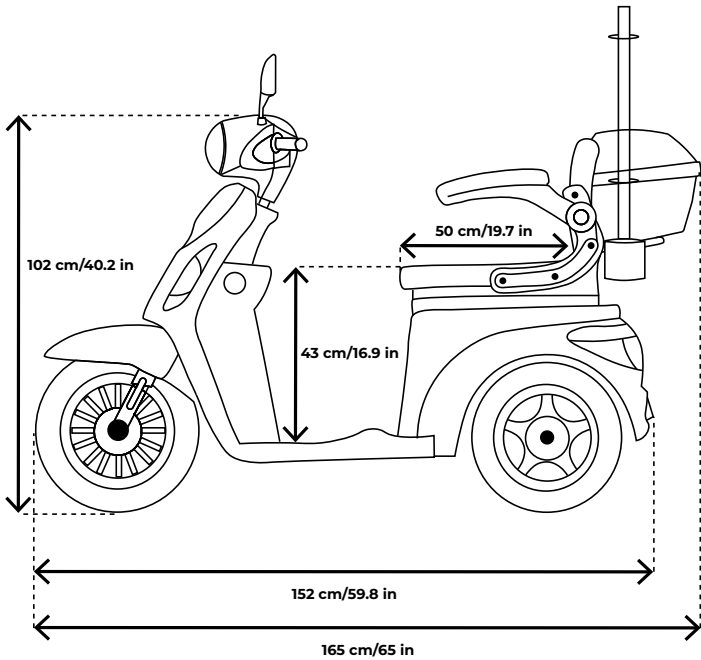
+48 34 350 80 44



veleco.eu

**veleco**  
Luxury Medical Devices

# DRACO

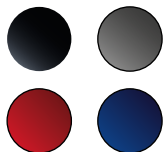






# DRACO +ROOF

available colours:



LED



OPTIONAL CAPTAIN SEAT



OPTIONAL SOLID TYRES

Meet Veleco **DRACO** – a practical and easy-to-use electric mobility scooter with a protective canopy. Perfect for any weather, it comes with a roof and windshield to keep you comfortable and dry. **DRACO** features a simple button acceleration system, great for those who find traditional throttles challenging. With its sturdy and efficient design, **DRACO** is your go-to choice for everyday mobility with added protection. It's an ideal trike for seniors or anyone looking for a reliable ride.

*The scooter comes **assembled and ready to go!*** 



# SPECIFICATIONS

## OVERVIEW

Max user weight: 160 kg / 25.2 st  
Scooter weight: 115 kg / 253.5 lbs (w/  
Lead-Acid battery), 100 kg / 220.5 lbs  
(w/ Lithium-Ion battery)  
Hill climbing ability: 17°  
Maximum range on single charge: 45-  
50 km / 28-31.1 mi  
Speed of response: Low  
Maximum speed: 8 mph / 12 km/h  
Acceleration system: Acceleration  
button  
Seat adjustment: Yes  
Suspension: Full  
Compliant with DVLA requirements: Yes  
Scooter class: Class-3  
Vehicle autonomy: Level 0  
Optimal air humidity for storage and  
use: 30%  
Working temperature of electronic  
parts: -10 °C to +40 °C  
Turning radius: 165 cm / 65"

## MOTOR

Power: 800 W  
Voltage: 48 V

## BATTERY

Type: Lead-Acid (can be upgraded to  
Lithium-Ion)  
Capacity: 20 Ah  
Voltage: 48 V  
Life cycle: 600 full charges  
Charge time: ≈8 h

## BRAKES

Front: Drum  
Rear: Drum  
Magnetic brake: Yes

## WHEELS

Amount: 3  
Type of tyres: Pneumatic tubeless  
Size: 3.00-10"  
Tyre pressure: 2.25 bar / 225 kPa / 32.5  
PSI

## LIGHTS

Low beam headlight: LED (integrated  
with lamp)  
High beam headlight: LED (integrated  
with lamp)  
Position lights: LED (integrated with  
lamp)  
Tail lights: LED (integrated with lamp)  
Front and rear signal lights: P21/5 W  
LED / R10W 12V  
Brake light: P21/5 W LED  
Hazard lights: P21/5 W LED / R10W 12V

## FEATURES

Horn  
Rearview mirrors  
Steering wheel lock  
Parking brake  
Digital display  
USB Port  
Roof and windshield  
Alarm  
Remote control  
Anti-tipping safety wheels



sales@veleco.pl



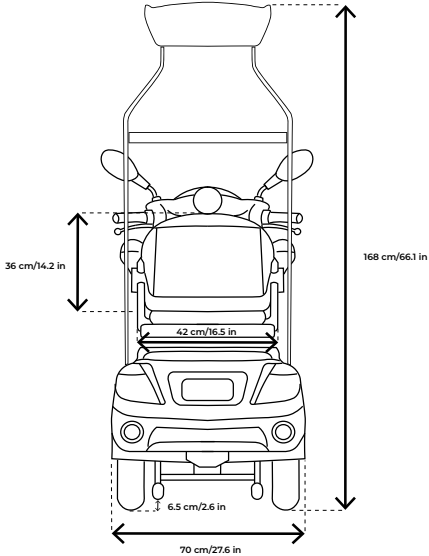
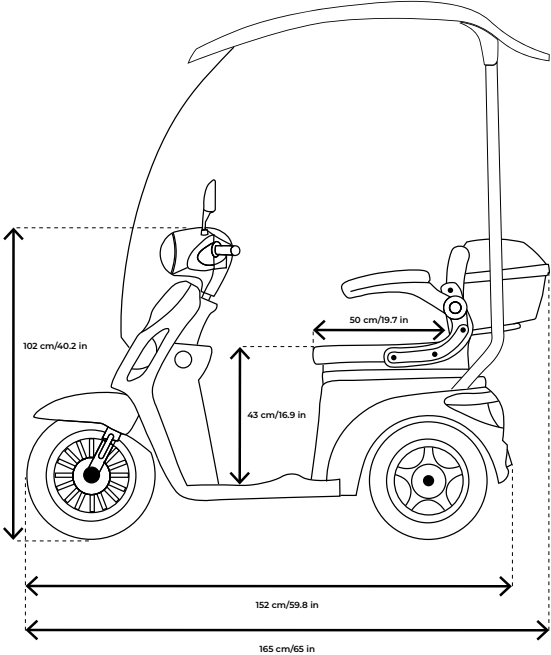
+48 34 350 80 44



veleco.eu

**veleco**  
Luxury Medical Devices

# DRACO +ROOF

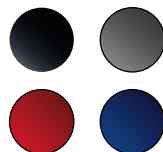




# FASTER



available colours:



LED



OPTIONAL CAPTAIN SEAT



OPTIONAL SOLID TYRES

Model **FASTER** is a 4 wheel mobility scooter that will definitely take you anywhere safely. With this awesome model, you can feel as secure as possible when driving outside on any kind of road. Four wheels on a very powerful suspension system and adjustable seat make any trip as comfortable as possible. This model is an especially good choice for first time electric mobility scooter users that lack full confidence when driving.

The scooter comes **assembled and ready to go!** 



# SPECIFICATIONS

## OVERVIEW

Max user weight: 160 kg / 25.2 st  
Scooter weight: 116 kg / 255.7 lbs (w/ Lead-Acid battery), 100 kg / 220.5 lbs (w/ Lithium-Ion battery)  
Hill climbing ability: 17°  
Maximum range on single charge: 45-60 km / 28-37.3 mi  
Speed of response: Low  
Maximum speed: 8 mph / 12 km/h  
Acceleration system: Right-hand scooter throttle  
Seat adjustment: Yes  
Suspension: Full  
Compliant with DVLA requirements: Yes  
Scooter class: Class-3  
Vehicle autonomy: Level 0  
Optimal air humidity for storage and use: 30%  
Working temperature of electronic parts: -10 °C to +40 °C  
Turning radius: 220 cm / 86.6"

## MOTOR

Power: 1000 W  
Voltage: 60 V

## BATTERY

Type: Lead-Acid (can be upgraded to Lithium-Ion)  
Capacity: 20 Ah  
Voltage: 60 V  
Life cycle: 600 full charges  
Charge time: ≈8 h

## BRAKES

Front: Hydraulic disc  
Rear: Drum  
Magnetic brake: No

## WHEELS

Amount: 4  
Type of tyres: Pneumatic tubeless  
Size: F 3.00-8" / R 3.00-10"  
Tyre pressure: 2.25 bar / 225 kPa / 32.5 PSI

## LIGHTS

Low beam headlight: LED (integrated with lamp)  
High beam headlight: LED (integrated with lamp)  
Position lights: LED (integrated with lamp)  
Tail lights: LED (integrated with lamp)  
Front and rear signal lights: P21/5 W LED / R10W 12V  
Brake light: P21/5 W LED  
Hazard lights: P21/5 W LED / R10W 12V

## FEATURES

Horn  
Rearview mirrors  
Steering wheel lock  
Parking brake  
Digital display  
USB Port  
Alarm  
Remote control



sales@veleco.pl



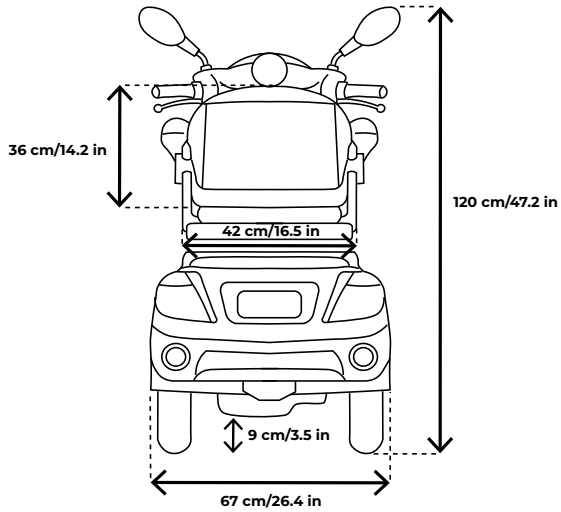
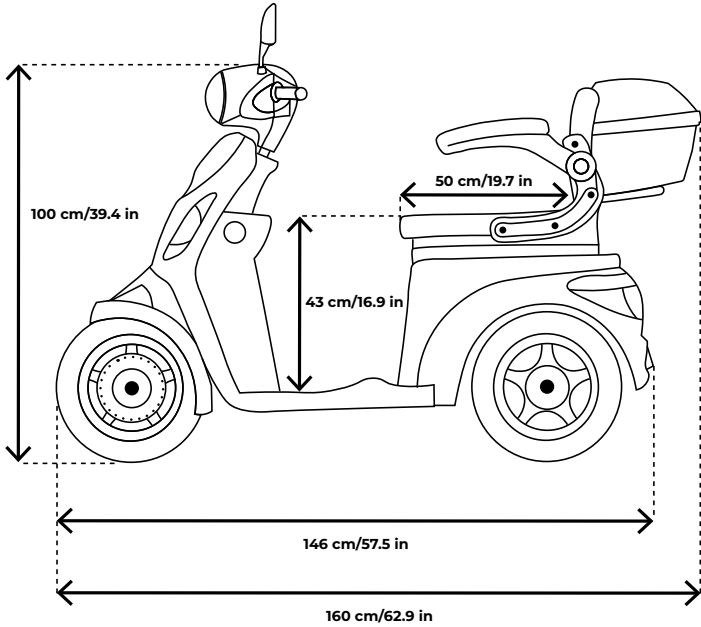
+48 34 350 80 44



veleco.eu

**veleco**  
Luxury Medical Devices

# FASTER

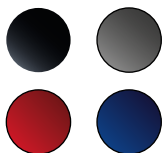






# FASTER +ROOF

available colours:



LED



OPTIONAL CAPTAIN SEAT



OPTIONAL SOLID TYRES

If you have ever felt too hot while enjoying the outdoors, then **FASTER** mobility scooter with roof is just what you need. With a perfect canopy, it will shield you from the heat, and it will make every ride much more pleasant. This model has been especially welcome by all those who love playing golf. Four wheel stability provide great support and the weighted roof keeps the vehicle to the ground while not impacting its other abilities.

*The scooter comes **assembled and ready to go!*** 



# SPECIFICATIONS

## OVERVIEW

Max user weight: 160 kg / 25.2 st  
Scooter weight: 133 kg / 293.2 lbs (w/  
Lead-Acid battery), 117 kg / 257.9 lbs (w/  
Lithium-Ion battery)  
Hill climbing ability: 17°  
Maximum range on single charge: 45-  
60 km / 28-37.3 mi  
Speed of response: Low  
Maximum speed: 8 mph / 12 km/h  
Acceleration system: Right-hand sco-  
oter throttle  
Seat adjustment: Yes  
Suspension: Full  
Compliant with DVLA requirements: Yes  
Scooter class: Class-3  
Vehicle autonomy: Level 0  
Optimal air humidity for storage and  
use: 30%  
Working temperature of electronic  
parts: -10 °C to +40 °C  
Turning radius: 220 cm / 86.6"

## MOTOR

Power: 1000 W  
Voltage: 60 V

## BATTERY

Type: Lead-Acid  
Capacity: 20 Ah  
Voltage: 60 V  
Life cycle: 600 full charges  
Charge time: ≈8 h

## BRAKES

Front: Hydraulic disc  
Rear: Drum  
Magnetic brake: No

## WHEELS

Amount: 4  
Type of tyres: Pneumatic tubeless  
Size: F 3.00-8" / R 3.00-10"  
Tyre pressure: 2.25 bar / 225 kPa / 32.5  
PSI

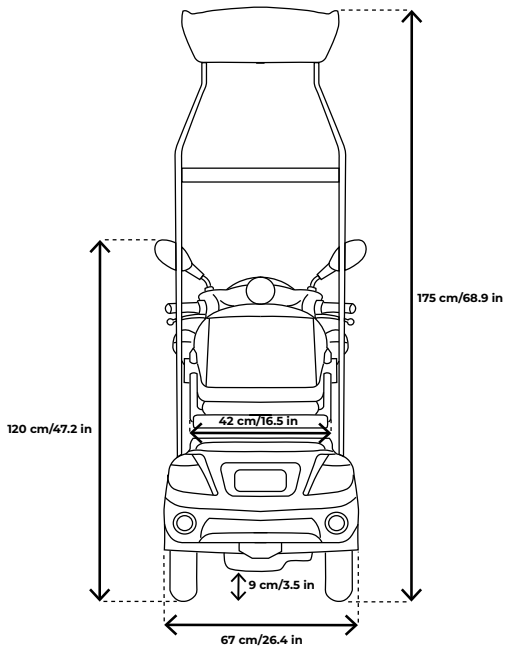
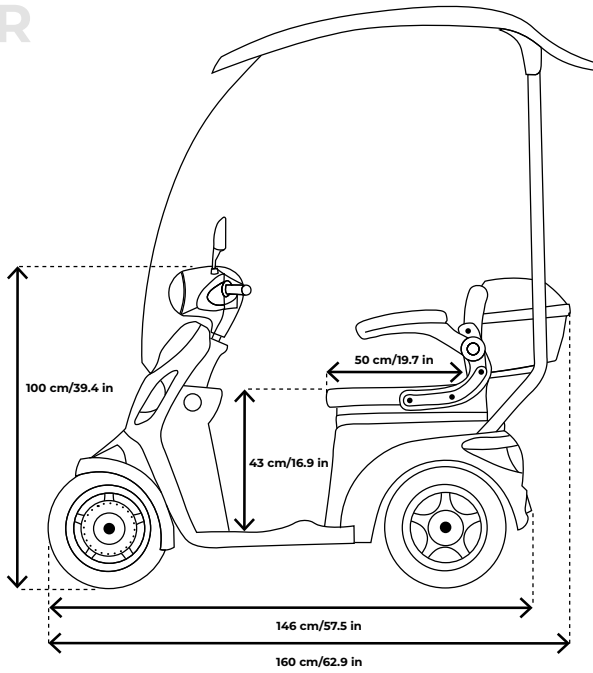
## LIGHTS

Low beam headlight: LED (integrated  
with lamp)  
High beam headlight: LED (integrated  
with lamp)  
Position lights: LED (integrated with  
lamp)  
Tail lights: LED (integrated with lamp)  
Front and rear signal lights: P21/5 W  
LED / R10W 12V  
Brake light: P21/5 W LED  
Hazard lights: P21/5 W LED / R10W 12V

## FEATURES

Horn  
Rearview mirrors  
Steering wheel lock  
Parking brake  
Digital display  
USB Port  
Roof and windshield  
Alarm  
Remote control

# FASTER +ROOF





# ZT15



available colours:



LED



OPTIONAL SOLID TYRES

Produced by renowned manufacturer Veleco company, **ZT15** mobility scooter is known for its high quality. Assembled in Poland and delivered fully ready-to-drive, it is a perfect solution for everyone who has to deal with daily mobility problems of any kind. Being one of the first models manufactured by the company, it is a great vehicle for first time electric mobility scooter users.

*The scooter comes **assembled and ready to go!*** 



# SPECIFICATIONS

## OVERVIEW

Max user weight: 160 kg / 25.2 st  
Scooter weight: 104 kg / 229.3 lbs  
Hill climbing ability: 17°  
Maximum range on single charge: 45-60 km / 28-37.3 mi  
Speed of response: Medium  
Maximum speed: 8 mph / 12 km/h  
Acceleration system: Right-hand scooter throttle  
Seat adjustment: Yes  
Suspension: Full  
Compliant with DVLA requirements: Yes  
Scooter class: Class-3  
Vehicle autonomy: Level 0  
Optimal air humidity for storage and use: 30%  
Working temperature of electronic parts: -10 °C to +40 °C  
Turning radius: 190 cm / 74.8"

## MOTOR

Power: 900 W  
Voltage: 48 V

## BATTERY

Type: Lead-Acid  
Capacity: 20 Ah  
Voltage: 48 V  
Life cycle: 600 full charges  
Charge time: ≈8 h

## BRAKES

Front: Drum  
Rear: Drum  
Magnetic brake: Yes

## WHEELS

Amount: 3  
Type of tyres: Pneumatic tubeless  
Size: 3.00-10"  
Tyre pressure: 2.25 bar / 225 kPa / 32.5 PSI

## LIGHTS

Low beam headlight: S2  
High beam headlight: S2  
Position lights: W5W  
Front and rear signal lights: P21/5 W LED / R10W 12V  
Brake light: P21/5 W LED  
Hazard lights: P21/5 W LED / R10W 12V  
Registration plate light: W5W

## FEATURES

Horn  
Rearview mirrors  
Steering wheel lock  
Digital display  
Alarm  
Remote control  
Anti-tipping safety wheels



sales@veleco.pl



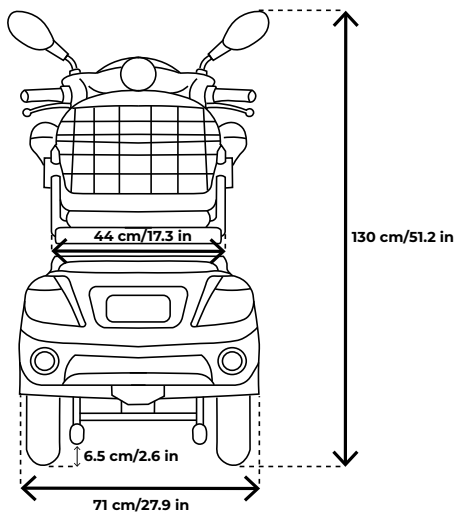
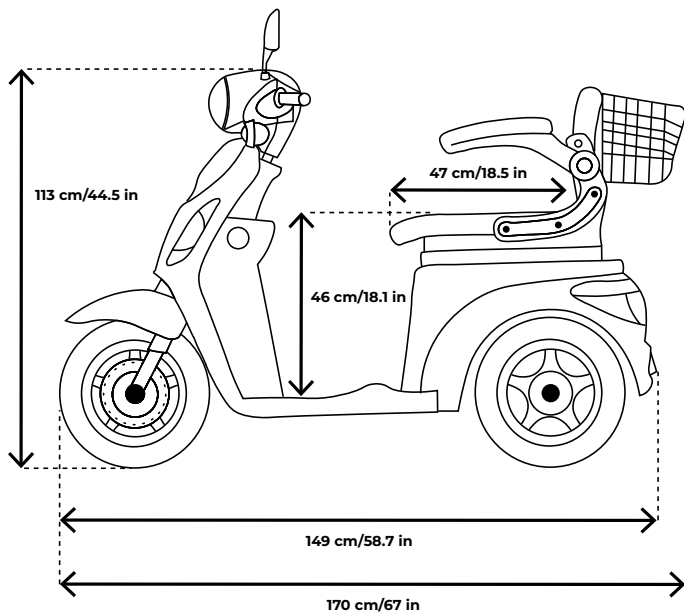
+48 34 350 80 44



veleco.eu

**veleco**  
Luxury Medical Devices

# ZT15







# ZT16

available colours:



LED



Speed through the pavement with trike mobility scooter **ZT16**. With just a gentle twist of your grip, you can ride around your area, visit favourite shops and those far away parks that you long for. Save your time by driving securely on **ZT16** for all of your daily mobility needs. The model **ZT16** comes with a detachable basket, which makes it perfect as a simple shopping vehicle. It is a perfect choice for someone without driving licence who wants to save time when visiting far away shops.

*The scooter comes **assembled and ready to go!*** 



# SPECIFICATIONS

## OVERVIEW

Max user weight: 120 kg / 18.9 st  
Scooter weight: 51 kg / 112.4 lbs  
Hill climbing ability: 17°  
Maximum range on single charge: 25-30 km / 15.5-18.6 mi  
Speed of response: High  
Maximum speed: 8 mph / 12 km/h  
Acceleration system: Right-hand scooter throttle  
Seat adjustment: Yes  
Suspension: No  
Compliant with DVLA requirements: No  
Scooter class: Class-2  
Vehicle autonomy: Level 0  
Optimal air humidity for storage and use: 30%  
Working temperature of electronic parts: -10 °C to +40 °C  
Turning radius: 90 cm / 35.4"

## MOTOR

Power: 750 W  
Voltage: 48 V

## BATTERY

Type: Lead-Acid  
Capacity: 12 Ah  
Voltage: 48 V  
Life cycle: 600 full charges  
Charge time: ≈8 h

## BRAKES

Front: Drum  
Rear: Mechanical disc  
Magnetic brake: No

## WHEELS

Amount: 3  
Type of tyres: Inflatable tyre  
Size: F 2.5-16" R 2.25-12.5"  
Tyre pressure: 2.5 bar / 250 kPa / 36 PSI

## LIGHTS

Low beam headlight: LED (integrated with lamp)  
Brake light: LED (integrated with lamp)

## FEATURES

Horn  
Parking brake  
Digital display  
Adjustable and foldable handlebar  
Adjustable and removable seat



sales@veleco.pl



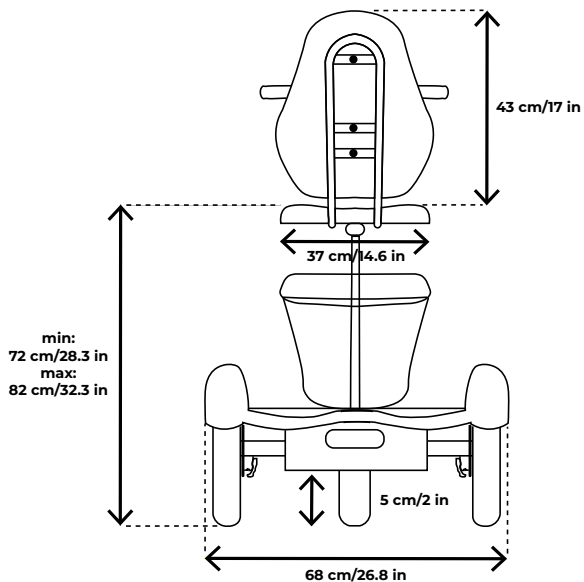
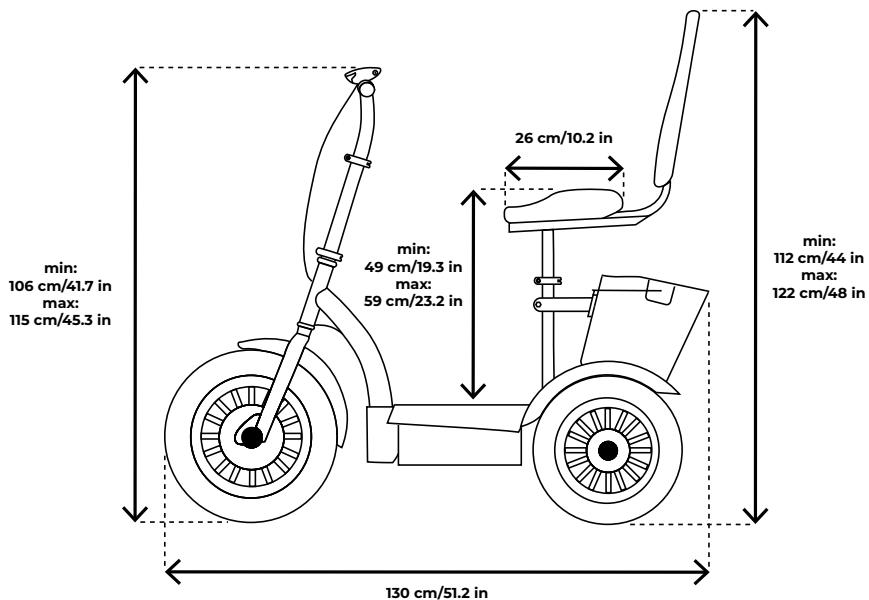
+48 34 350 80 44



veleco.eu

**veleco**  
Luxury Medical Devices

# ZT16





# ZT63



available colours:



**MD** **CE**  **OPTIONAL SOLID TYRES**

Our **ZT63** electric scooter is a perfect choice for any customer who fancies the look straight from early and middle 1900s. This retro-Italian style mobility scooter is a perfect balance between old body and brand-new heart of the vehicle. This model is favoured by everyone who prefers to have their mobility vehicle not look like a mobility aid.

*The scooter comes **assembled and ready to go!*** 

# SPECIFICATIONS

## OVERVIEW

Max user weight: 199 kg / 31.3 st  
Scooter weight: 94 kg / 207.2 lbs  
Hill climbing ability: 17°  
Maximum range on single charge: 40-60 km / 24.9-37.3 mi  
Speed of response: Medium  
Maximum speed: 8 mph / 12 km/h  
Acceleration system: Right-hand scooter throttle  
Seat adjustment: No  
Suspension: Full  
Compliant with DVLA requirements: Yes  
Scooter class: Class-3  
Vehicle autonomy: Level 0  
Optimal air humidity for storage and use: 30%  
Working temperature of electronic parts: -10 °C to +40 °C  
Turning radius: 195 cm / 76.8"

## MOTOR

Power: 650 W  
Voltage: 60 V

## BATTERY

Type: Lead-Acid  
Capacity: 20 Ah  
Voltage: 60 V  
Life cycle: 600 full charges  
Charge time: ≈8 h

## BRAKES

Front: Hydraulic disc  
Rear: Drum  
Magnetic brake: Depending on version

## WHEELS

Amount: 3  
Type of tyres: Pneumatic tubeless  
Size: 3.00-10"  
Tyre pressure: 2.25 bar / 225 kPa / 32.5 PSI

## LIGHTS

Low beam headlight: S2  
High beam headlight: S2  
Position lights: W5W  
Tail lights: P21/5 W  
Daytime running lights: S2  
Signal lights: R10W 12V  
Brake light: P21/5 W  
Hazard lights: R10W 12V

## FEATURES

Horn  
Rearview mirrors  
Steering wheel lock  
Parking brake  
Digital display  
Alarm  
Remote control



sales@veleco.pl



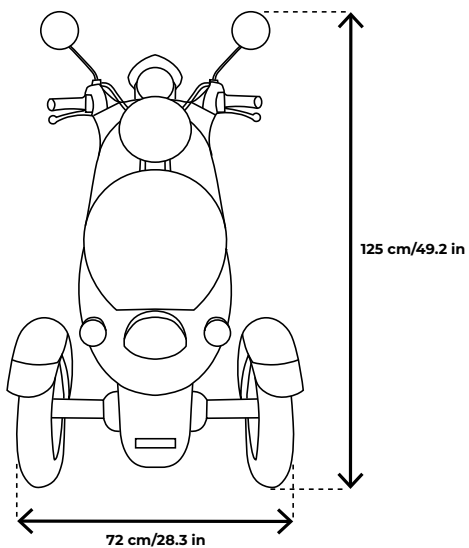
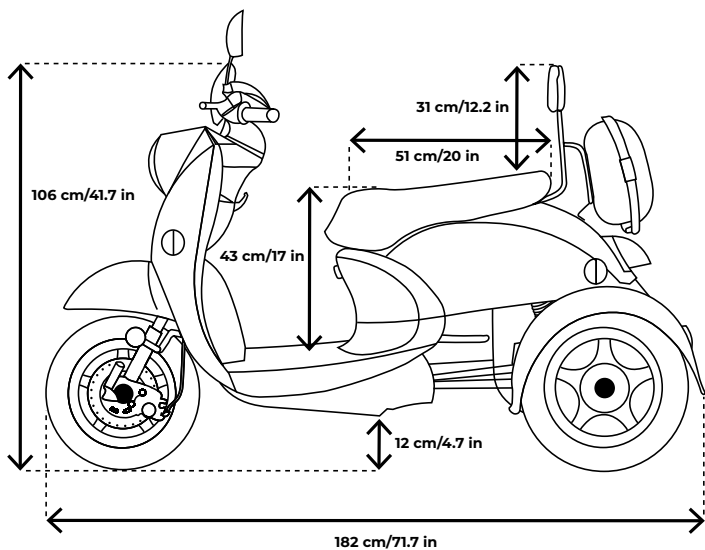
+48 34 350 80 44



veleco.eu

**veleco**  
Luxury Medical Devices

# ZT63

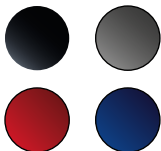






# GRAVIS

available colours:



LED



OPTIONAL CAPTAIN SEAT



OPTIONAL SOLID TYRES

4 Wheeled Mobility Scooter **GRAVIS** is our heavy-duty disability scooter, which can be used in any road conditions thanks to its great suspension system. On top of that it is equipped with modern LED lighting which provides a lot of safety in the night and are highly visible in any conditions. Model **GRAVIS** is a perfect solution to everyone who looks for full stability and a sense of security when driving a mobility scooter.

The scooter comes **assembled and ready to go!** 



# SPECIFICATIONS

## OVERVIEW

Max user weight: 160 kg / 25.2 st  
Scooter weight: 125 kg / 275.5 lbs  
Hill climbing ability: 17°  
Maximum range on single charge: 45-60 km / 28-37.3 mi  
Speed of response: Low  
Maximum speed: 8 mph / 12 km/h  
Acceleration system: Right-hand scooter throttle  
Seat adjustment: Yes  
Suspension: Full  
Compliant with DVLA requirements: Yes  
Scooter class: Class-3  
Vehicle autonomy: Level 0  
Optimal air humidity for storage and use: 30%  
Working temperature of electronic parts: -10 °C to +40 °C  
Turning radius: 220 cm / 86.6"

## MOTOR

Power: 1000 W  
Voltage: 60 V

## BATTERY

Type: Lead-Acid  
Capacity: 20 Ah  
Voltage: 60 V  
Life cycle: 600 full charges  
Charge time: ≈8 h

## BRAKES

Front: Hydraulic disc  
Rear: Drum  
Magnetic brake: No

## WHEELS

Amount: 4  
Type of tyres: Pneumatic tubeless  
Size: F 3.00-8" / R 3.00-10"  
Tyre pressure: 2.25 bar / 225 kPa / 32.5 PSI

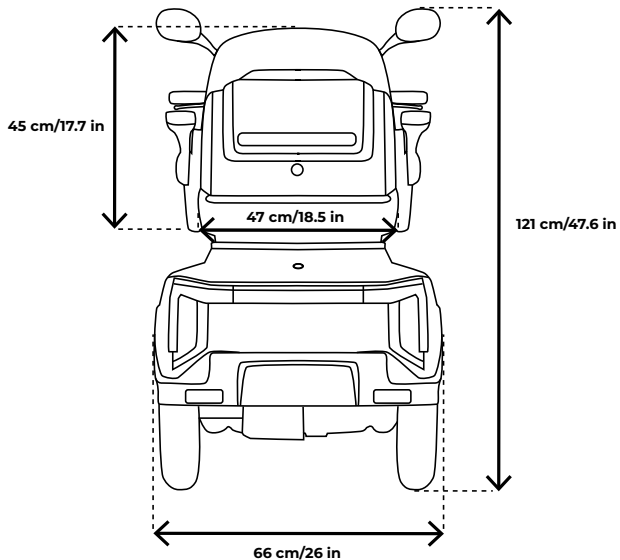
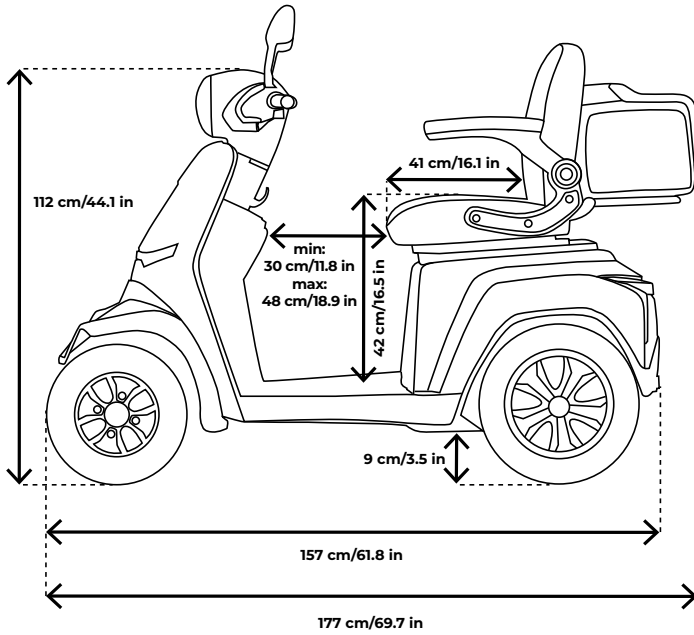
## LIGHTS

Low beam headlight: LED (integrated with lamp)  
High beam headlight: LED (integrated with lamp)  
Tail lights: LED (integrated with lamp)  
Daytime running lights: LED (integrated with lamp)  
Signal lights: LED (integrated with lamp)  
Brake light: LED (integrated with lamp)  
Hazard lights: LED (integrated with lamp)

## FEATURES

Horn  
Rearview mirrors  
Steering wheel lock  
Parking brake  
Digital display  
USB Port  
Alarm  
Remote control  
Comfortable seat  
Anti-tipping safety wheels

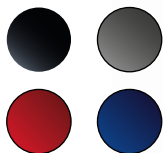
# GRAVIS





# GRAVIS +ROOF

available colours:



LED



OPTIONAL CAPTAIN SEAT



OPTIONAL SOLID TYRES

Here's what everybody has been waiting for. Our top-selling heavy-duty mobility scooter **GRAVIS** is finally available with a hardtop roof which will shield you from the sun and non-intensive rainfall. Clear front windshield provides an excellent vision with wind protection for the greatest riding experience. Feel the stability and comfort of this 4-wheeler and don't worry about weather conditions while enjoying your rides.

The scooter comes **assembled and ready to go!** 



# SPECIFICATIONS

## OVERVIEW

Max user weight: 160 kg / 25.2 st  
Scooter weight: 142 kg / 313.1 lbs  
Hill climbing ability: 17°  
Maximum range on single charge: 45-60 km / 28-37.3 mi  
Speed of response: Low  
Maximum speed: 8 mph / 12 km/h  
Acceleration system: Right-hand scooter throttle  
Seat adjustment: Yes  
Suspension: Full  
Compliant with DVLA requirements: Yes  
Scooter class: Class-3  
Vehicle autonomy: Level 0  
Optimal air humidity for storage and use: 30%  
Working temperature of electronic parts: -10 °C to +40 °C  
Turning radius: 220 cm / 86.6"

## MOTOR

Power: 1000 W  
Voltage: 60 V

## BATTERY

Type: Lead-Acid  
Capacity: 20 Ah  
Voltage: 60 V  
Life cycle: 600 full charges  
Charge time: ≈8 h

## BRAKES

Front: Hydraulic disc  
Rear: Drum  
Magnetic brake: No

## WHEELS

Amount: 4  
Type of tyres: Pneumatic tubeless  
Size: F 3.00-8" / R 3.00-10"  
Tyre pressure: 2.25 bar / 225 kPa / 32.5 PSI

## LIGHTS

Low beam headlight: LED (integrated with lamp)  
High beam headlight: LED (integrated with lamp)  
Tail lights: LED (integrated with lamp)  
Daytime running lights: LED (integrated with lamp)  
Signal lights: LED (integrated with lamp)  
Brake light: LED (integrated with lamp)  
Hazard lights: LED (integrated with lamp)

## FEATURES

Roof and windshield  
Horn  
Rearview mirrors  
Steering wheel lock  
Parking brake  
Digital display  
USB Port  
Alarm  
Remote control  
Comfortable seat  
Anti-tipping safety wheels



sales@veleco.pl



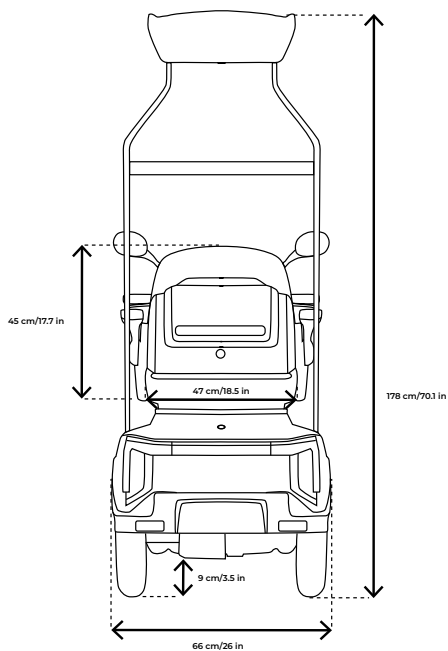
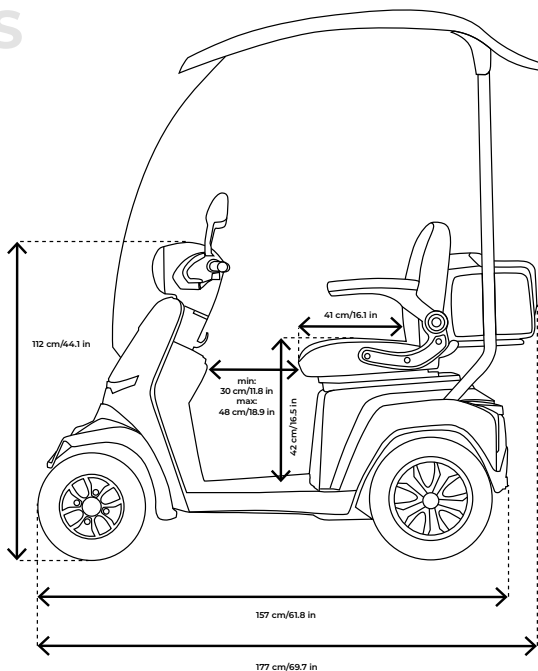
+48 34 350 80 44



veleco.eu

**veleco**  
Luxury Medical Devices

# GRAVIS + ROOF

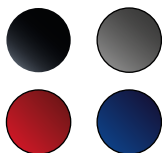






# TURRIS

available colours:



LED



OPTIONAL CAPTAIN SEAT



OPTIONAL SOLID TYRES

**TURRIS** is a 3-wheeled mobility scooter equipped with the latest technology; full LED lighting, modern display and roomy lockable trunk. Its adjustable, full seat with folding armrests provide a comfortable riding position. The entire seat can be adjusted to suit your needs. **TURRIS** is more stable and safer than two-wheeled vehicles. Small rear stabilizer wheels provide additional safety on slopes.

The scooter comes **assembled and ready to go!** 



# SPECIFICATIONS

## OVERVIEW

Max user weight: 160 kg / 25.2 st  
Scooter weight: 103 kg / 227.1 lbs (w/  
Lead-Acid battery), 88 kg / 164 lbs (w/  
Lithium-Ion battery)  
Hill climbing ability: 17°  
Maximum range on single charge: 45-  
50 km / 28-31.1 mi  
Speed of response: Low  
Maximum speed: 8 mph / 12 km/h  
Acceleration system: Acceleration  
button  
Seat adjustment: Yes  
Suspension: Full  
Compliant with DVLA requirements: Yes  
Scooter class: Class-3  
Vehicle autonomy: Level 0  
Optimal air humidity for storage and  
use: 30%  
Working temperature of electronic  
parts: -10 °C to +40 °C  
Turning radius: 165 cm / 65"

## MOTOR

Power: 800 W  
Voltage: 48 V

## BATTERY

Type: Lead-Acid (can be upgraded to  
Lithium-Ion)  
Capacity: 20 Ah  
Voltage: 48 V  
Life cycle: 600 full charges  
Charge time: ≈8 h

## BRAKES

Front: Drum  
Rear: Drum  
Magnetic brake: Yes

## WHEELS

Amount: 3  
Type of tyres: Pneumatic tubeless  
Size: 3.00-10"  
Tyre pressure: 2.25 bar / 225 kPa / 32.5  
PSI

## LIGHTS

Low beam headlight: LED (integrated  
with lamp)  
High beam headlight: LED (integrated  
with lamp)  
Tail lights: LED (integrated with lamp)  
Daytime running lights: LED (integrated  
with lamp)  
Signal lights: LED (integrated with  
lamp)  
Brake light: LED (integrated with lamp)  
Hazard lights: LED (integrated with  
lamp)

## FEATURES

Horn  
Rearview mirrors  
Steering wheel lock  
Parking brake  
Digital display  
USB Port  
Alarm  
Remote control  
Comfortable seat  
Anti-tipping safety wheels



sales@veleco.pl



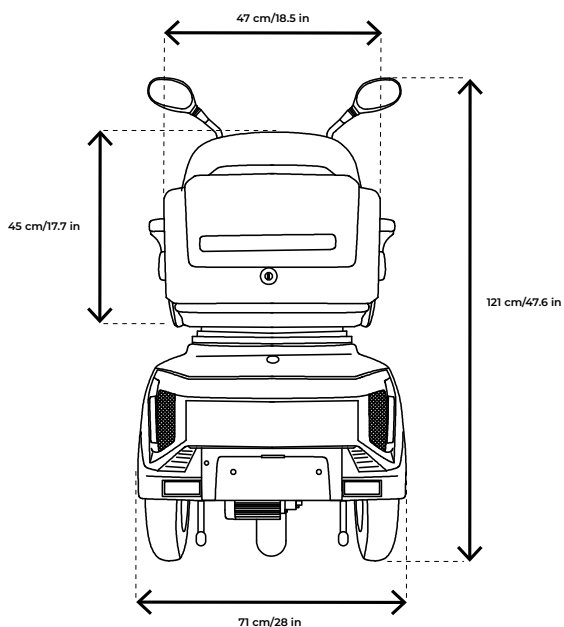
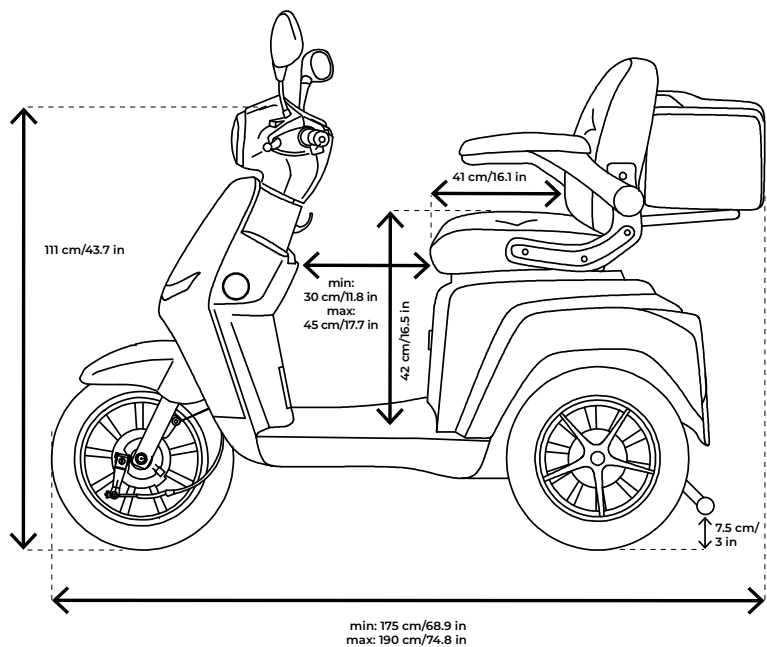
+48 34 350 80 44



veleco.eu

**veleco**  
Luxury Medical Devices

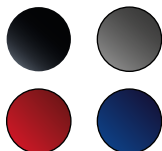
# TURRIS





# TURRIS +ROOF

available colours:



LED



OPTIONAL CAPTAIN SEAT



OPTIONAL SOLID TYRES

**TURRIS** with canopy is the only trike available with roof and windshield. With its full LED lights **TURRIS** is the perfect solution for those seeking a safe and comfortable ride. **TURRIS** is equipped with the latest technology; a modern display for easy navigation and roomy lockable compartment. The roof and windshield provide additional protection, ensuring you stay dry while riding when it's drizzling.

The scooter comes **assembled and ready to go!** 



# SPECIFICATIONS

## OVERVIEW

Max user weight: 160 kg / 25.2 st  
Scooter weight: 123 kg / 271.2 lbs (w/  
Lead-Acid battery), 108 kg / 238.1 lbs (w/  
Lithium-Ion battery)  
Hill climbing ability: 17°  
Maximum range on single charge: 45-  
50 km / 28-31.1 mi  
Speed of response: Low  
Maximum speed: 8 mph / 12 km/h  
Acceleration system: Acceleration  
button  
Seat adjustment: Yes  
Suspension: Full  
Compliant with DVLA requirements: Yes  
Scooter class: Class-3  
Vehicle autonomy: Level 0  
Optimal air humidity for storage and  
use: 30%  
Working temperature of electronic  
parts: -10 °C to +40 °C  
Turning radius: 165 cm / 65"

## MOTOR

Power: 800 W  
Voltage: 48 V

## BATTERY

Type: Lead-Acid (can be upgraded to  
Lithium-Ion)  
Capacity: 20 Ah  
Voltage: 48 V  
Life cycle: 600 full charges  
Charge time: ≈8 h

## BRAKES

Front: Drum  
Rear: Drum  
Magnetic brake: Yes

## WHEELS

Amount: 3  
Type of tyres: Pneumatic tubeless  
Size: 3.00-10"  
Tyre pressure: 2.25 bar / 225 kPa / 32.5  
PSI

## LIGHTS

Low beam headlight: LED (integrated  
with lamp)  
High beam headlight: LED (integrated  
with lamp)  
Tail lights: LED (integrated with lamp)  
Daytime running lights: LED (integrated  
with lamp)  
Signal lights: LED (integrated with  
lamp)  
Brake light: LED (integrated with lamp)  
Hazard lights: LED (integrated with  
lamp)

## FEATURES

Roof and windshield  
Horn  
Rearview mirrors  
Steering wheel lock  
Parking brake  
Digital display  
USB Port  
Alarm  
Remote control  
Comfortable seat  
Anti-tipping safety wheels



sales@veleco.pl



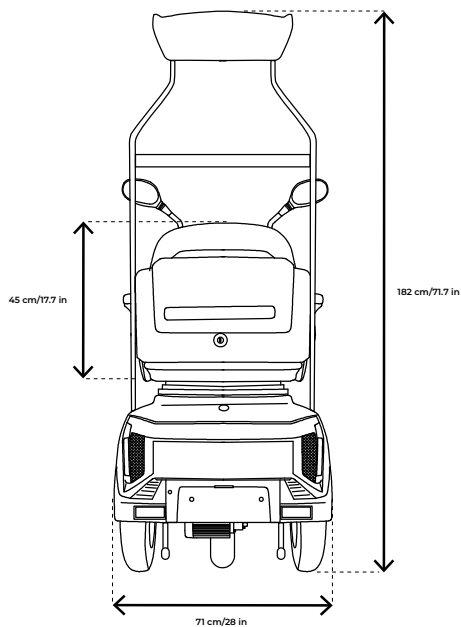
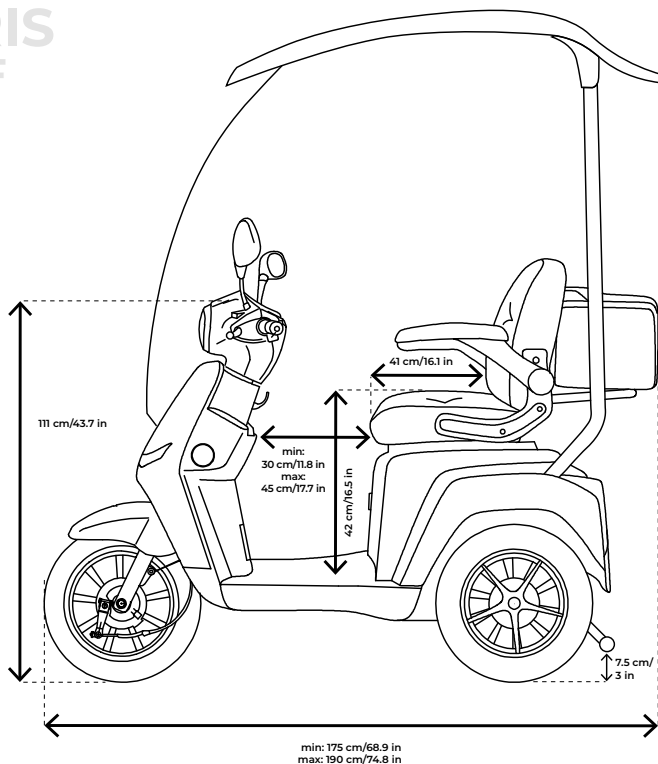
+48 34 350 80 44



veleco.eu

**veleco**  
Luxury Medical Devices

# TURRIS +ROOF

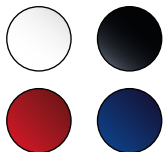






# JUMPY

available colours:



LED



OPTIONAL SOLID TYRES

Do you want a comfortable mobility scooter for rides through city streets and uneven country roads? The Vealeco **JUMPY** is the scooter you've been looking for! The **JUMPY** comes with useful features that will make your journeys even more comfortable and safe. Powered by a strong 450 W motor, the **JUMPY** ensures smooth and efficient travel across various terrains. Not only practical but also functional, the Vealeco **JUMPY** has a comfy swivel seat and a removable basket where you can store your belongings. Discover the freedom of travel and enjoy the comfort!

The scooter comes **assembled and ready to go!** 



# SPECIFICATIONS

## OVERVIEW

Max user weight: 160 kg / 25.2 st  
Scooter weight: 102 kg / 224.9 lbs  
Hill climbing ability: 15°  
Maximum range on single charge: 40 km / 24.9 mi  
Speed of response: High  
Maximum speed: 6.2 mph / 10 km/h  
Acceleration system: Lever  
Seat adjustment: Yes, backrest tilt, headrest position, 90° seat rotation, back and forth adjustment  
Suspension: Full  
Compliant with DVLA requirements: Yes  
Scooter class: Class-3  
Vehicle autonomy: Level 0  
Optimal air humidity for storage and use: 30%  
Working temperature of electronic parts: -10 °C to +40 °C  
Turning radius: 119 cm / 46.9"

## MOTOR

Power: 450 W  
Voltage: 24 V

## BATTERY

Type: Lead-Acid  
Capacity: 36 Ah  
Voltage: 24 V  
Life cycle: 600 full charges  
Charge time: ≈8 h

## BRAKES

Magnetic brake: Yes

## WHEELS

Amount: 4  
Type of tyres: Pneumatic  
Size: 10"  
Tyre pressure: 3.5 bar / 350 kPa / 50 PSI

## LIGHTS

Front lights: LED  
Rear lights: LED

## FEATURES

Horn  
Rearview mirrors  
Digital display  
Usb port and card slot  
Comfortable captain seat  
Anti-tipping safety wheels  
Speed knob  
Bluetooth speaker  
Mobile phone holder  
Seatbelt



[sales@veleco.pl](mailto:sales@veleco.pl)



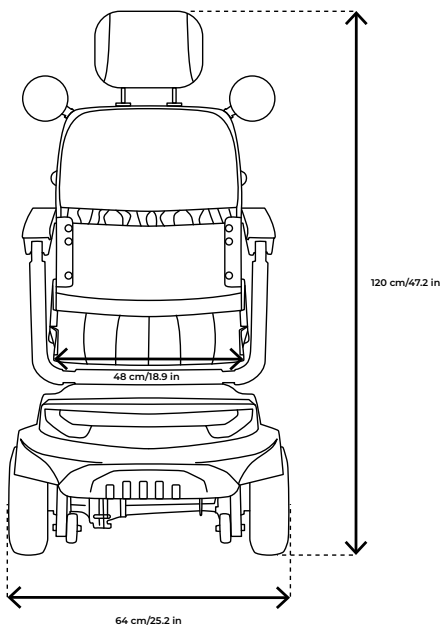
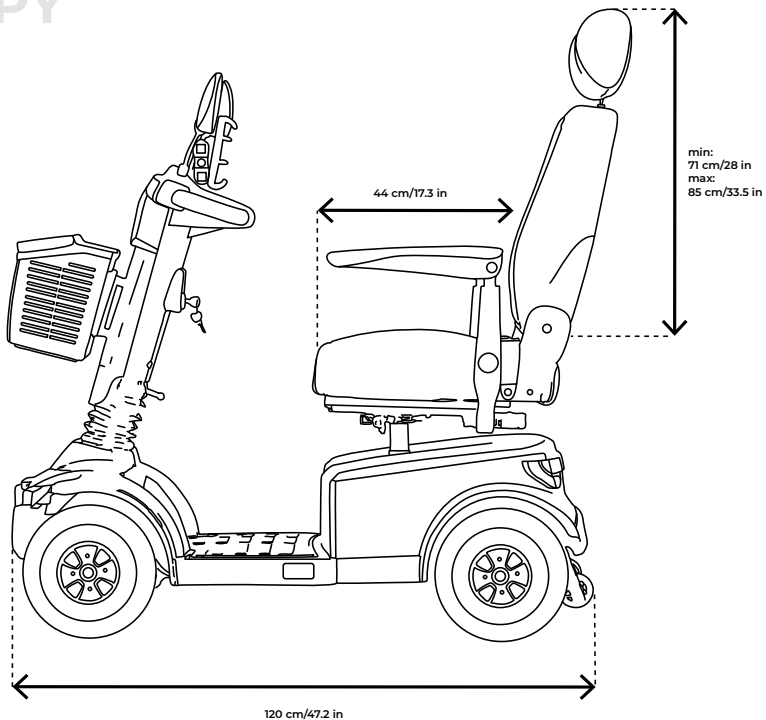
+48 34 350 80 44



[veleco.eu](http://veleco.eu)

**veleco**  
Luxury Medical Devices

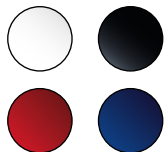
# JUMPY





# LOOPER

available colours:



LED



OPTIONAL SOLID TYRES

Are you in search of a medium-sized mobility scooter that offers a powerful drive and comfortable travel experience? Look no further than the Veledo **LOOPER!** Whether you're navigating city streets or tackling various terrains, the **LOOPER** ensures smooth and efficient movement. Equipped with front and rear suspension, it absorbs uneven surfaces, providing a smooth and stable ride. The added convenience is a removable front basket allows for easy storage and transportation of smaller items during your journeys. The Veledo **LOOPER** also features a swivel seat that makes it easy to get on and off the scooter.

*The scooter comes **assembled and ready to go!*** 



# SPECIFICATIONS

## OVERVIEW

Max user weight: 180 kg / 28.3 st  
Scooter weight: 115 kg / 253.5 lbs  
Hill climbing ability: 15°  
Maximum range on single charge:  
45 km / 28 mi  
Speed of response: High  
Maximum speed: 8 mph / 12 km/h  
Acceleration system: Lever  
Seat adjustment: Yes, backrest tilt, headrest position, 90° seat rotation, back and forth adjustment  
Suspension: Full  
Compliant with DVLA requirements: Yes  
Scooter class: Class-3  
Vehicle autonomy: Level 0  
Optimal air humidity for storage and use: 30%  
Working temperature of electronic parts: -10 °C to +40 °C  
Turning radius: 119 cm / 46.9"

## MOTOR

Power: 600 W  
Voltage: 24 V

## BATTERY

Type: Lead-Acid  
Capacity: 45 Ah  
Voltage: 24 V  
Life cycle: 600 full charges  
Charge time: ≈8 h

## BRAKES

Magnetic brake: Yes

## WHEELS

Amount: 4  
Type of tyres: Pneumatic  
Size: 12"  
Tyre pressure: 3.5 bar / 350 kPa / 50 PSI

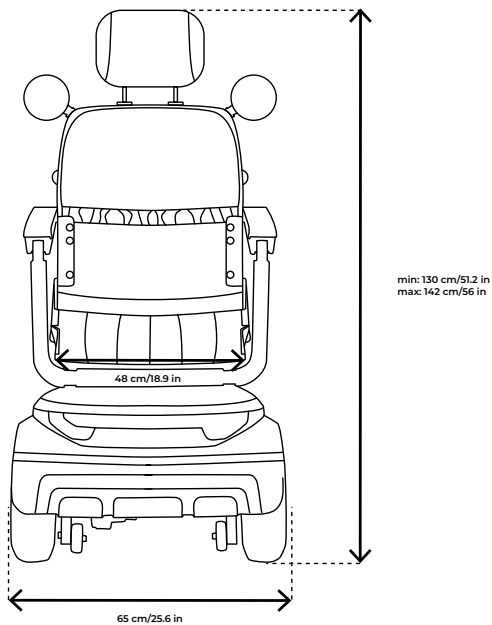
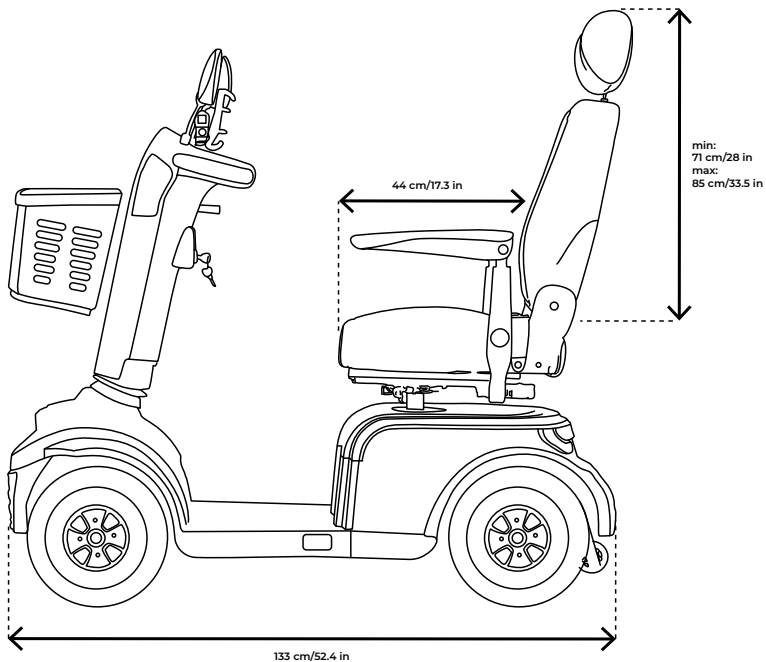
## LIGHTS

Front lights: LED  
Rear lights: LED

## FEATURES

Horn  
Rearview mirrors  
Digital display  
Usb port and card slot  
Comfortable captain seat  
Anti-tipping safety wheels  
Speed knob  
Bluetooth speaker  
Mobile phone holder  
Seatbelt

# LOOPER

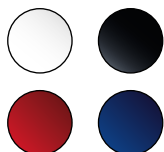






# SHARPY

available colours:



LED



CE



OPTIONAL SOLID TYRES

Introducing the **SHARPY** mobility scooter – the perfect combination of modern technology and exceptional comfort. Don't want to sacrifice comfort for functionality? Look no further! The **SHARPY** is just the vehicle for you. Powered by a powerful 750 W motor, the **SHARPY** with full suspension provides an exceptional riding experience, guaranteeing smooth rides around town. The comfortable handle and swivel seat with adjustable armrests ensure a safe and extremely enjoyable ride.

The scooter comes **assembled and ready to go!** 



# SPECIFICATIONS

## OVERVIEW

Max user weight: 200 kg / 31.5 st  
Scooter weight: 135 kg / 298 lbs  
Hill climbing ability: 15°  
Maximum range on single charge: 50 km / 31.1 mi  
Speed of response: High  
Maximum speed: 9 mph / 15 km/h  
Acceleration system: Lever  
Seat adjustment: Yes, backrest tilt, headrest height, 90° seat rotation, seat distance  
Suspension: Full  
Compliant with DVLA requirements: Yes  
Scooter class: Class-3  
Vehicle autonomy: Level 0  
Optimal air humidity for storage and use: 30%  
Working temperature of electronic parts: -10 °C to +40 °C  
Turning radius: 139 cm / 54.7"

## MOTOR

Power: 750 W  
Voltage: 24 V

## BATTERY

Type: Lead-Acid  
Capacity: 55 Ah  
Voltage: 24 V  
Life cycle: 600 full charges  
Charge time: ≈8 h

## BRAKES

Magnetic brake: Yes

## WHEELS

Amount: 4  
Type of tyres: Pneumatic  
Size: 13"  
Tyre pressure: 3.5 bar / 350 kPa / 50 PSI

## LIGHTS

Front lights: LED  
Rear lights: LED

## FEATURES

Horn  
Rearview mirrors  
Digital display  
Usb port and card slot  
Comfortable captain seat  
Anti-tipping safety wheels  
Speed knob  
Bluetooth speaker  
Mobile phone holder  
Seatbelt



[sales@veleco.pl](mailto:sales@veleco.pl)



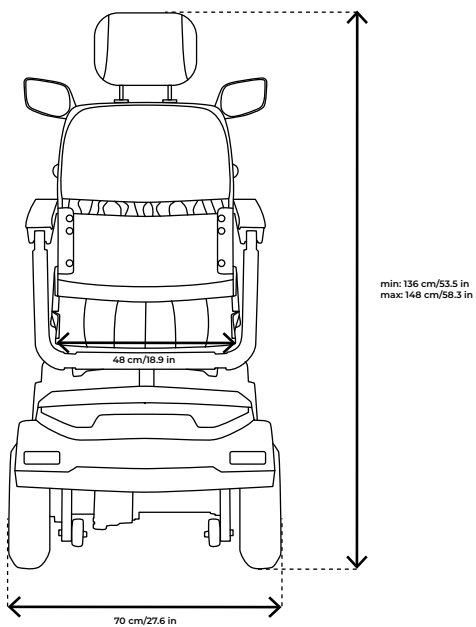
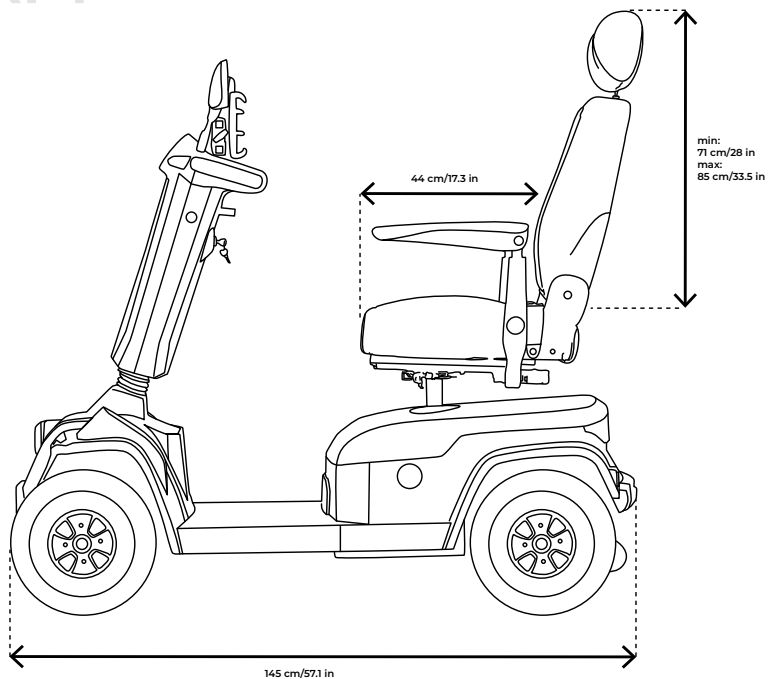
+48 34 350 80 44



[veleco.eu](http://veleco.eu)

**veleco**  
Luxury Medical Devices

# SHARPY





sales@veleco.pl



+48 34 350 80 44



veleco.eu

**veleco**  
Luxury Medical Devices

# SAGITTA



available colours:



Model **SAGITTA** is an electric moped that is as fast as an arrow. With the unique Multi-functional tilting system it is able to tackle any kind of difficult terrain. Equipped with SPORT button, this vehicle can accelerate much faster by pumping more power into a powerful 2000 W motor. To meet all customer expectations, model **SAGITTA** is able to carry two people on its lightweight build being only 120 kg.

*The scooter comes **assembled and ready to go!*** 

# SPECIFICATIONS

## OVERVIEW

Max number of riders: 2  
Max user weight: 185 kg / 29.1 st  
Vehicle weight: 120 kg / 264.5 lbs  
Hill climbing ability: 22°  
Maximum range on single charge: 60-75 km / 37.3-46.6 mi  
Speed of response: High  
Maximum speed: 28 mph / 45 km/h  
Acceleration system: Right-hand vehicle throttle  
Seat adjustment: No  
Suspension: Full  
Compliant with DVLA requirements: Yes  
Vehicle autonomy: Level 0  
Optimal air humidity for storage and use: 30%  
Working temperature of electronic parts: -10 °C to +40 °C  
Turning radius: 264 cm / 103.9"

## MOTOR

Power: 2000 W  
Voltage: 72 V

## BATTERY

Type: Lithium-Ion  
Voltage: 72 V  
Life cycle: 600 full charges  
Charge time: ≈6 h

## BRAKES

Front: Hydraulic disc  
Rear: Hydraulic disc  
Magnetic brake: No

## WHEELS

Amount: 3  
Type of tyres: Pneumatic tubeless  
Size: F 100/60-12x2, R 120/70-12  
Tyre pressure: 3.0 bar / 43.5 PSI  
Ground clearance: 13 cm / 5.1"

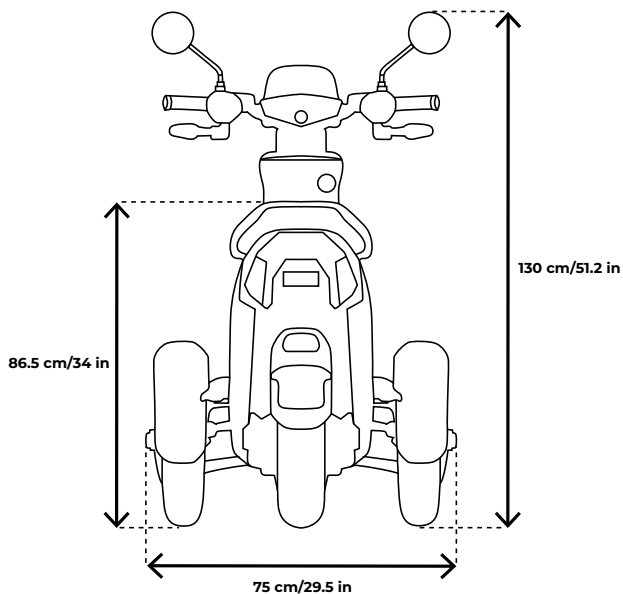
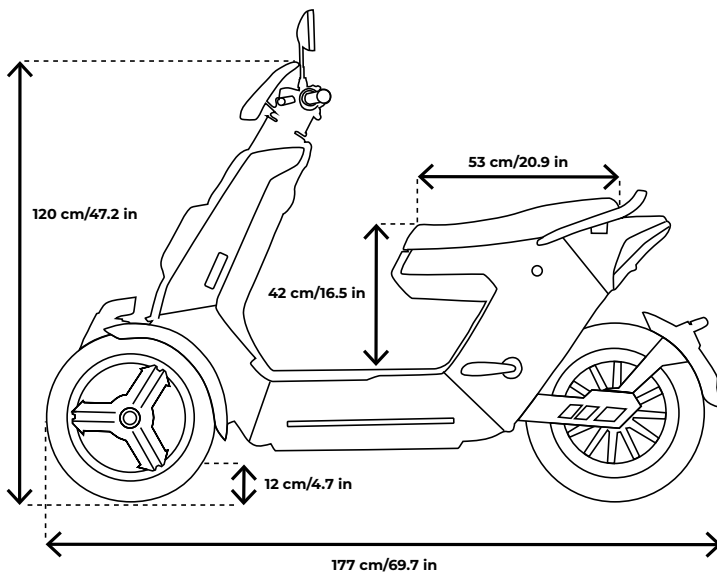
## LIGHTS

Low beam headlight: LED (integrated with lamp)  
High beam headlight: LED (integrated with lamp)  
Tail lights: LED (integrated with lamp)  
Daytime running lights: LED (integrated with lamp)  
Position lights: LED (integrated with lamp)  
Signal lights: LED (integrated with lamp)  
Brake light: LED (integrated with lamp)  
Hazard lights: LED (integrated with lamp)

## FEATURES

Horn  
Rearview mirrors  
Steering wheel lock  
Parking brake  
Digital display  
Sport mode  
Alarm  
Remote control

# SAGITTA







[sales@veleco.pl](mailto:sales@veleco.pl)



+48 34 350 80 44

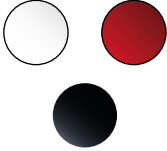


[veleco.eu](http://veleco.eu)

**veleco**  
Luxury Medical Devices

# ADVENA

available colours:



**ADVENA** fully enclosed electric moped comes with many new technologies that are top of the shelf, catering to all of customer needs. Traveling safely from home to any destination of their pick has never been so comfortable. With a high range of up to 51 mi (ca. 82 km) and fully adjustable seat for the user, it offers a perfectly comfortable ride for two people.

*The scooter comes **assembled and ready to go!*** 

# SPECIFICATIONS

## OVERVIEW

Max number of riders: 2  
Max user weight: 500 kg / 78.3 st  
Vehicle weight: 269 kg / 593 lbs  
Hill climbing ability: 15°  
Maximum range on single charge: 70-80 km / 43.5 -49.7 mi  
Speed of response: Low  
Maximum speed: 28 mph / 45 km/h  
Acceleration system: Right-hand vehicle throttle  
Seat adjustment: Yes  
Suspension: Full  
Compliant with DVLA requirements: Yes  
Vehicle autonomy: Level 0  
Optimal air humidity for storage and use: 30%  
Working temperature of electronic parts: -10 °C to +40 °C

## MOTOR

Power: 1500 W  
Voltage: 60 V

## BATTERY

Type: Lead-Acid  
Capacity: 58 Ah  
Voltage: 60 V  
Life cycle: 600 full charges  
Charge time: ≈8 h

## BRAKES

Front: Hydraulic disc  
Rear: Hydraulic disc  
Magnetic brake: No

## WHEELS

Amount: 3  
Type of tyres: Pneumatic tubeless  
Size: F 130/60-13 M/C, R 135/70-12  
Tyre pressure: 2.25 bar / 225 kPa / 32.5 PSI

## LIGHTS

Low beam headlight: LED (integrated with lamp)  
High beam headlight: LED (integrated with lamp)  
Tail lights: LED (integrated with lamp)  
Daytime running lights: LED (integrated with lamp)  
Signal lights: LED (integrated with lamp)  
Brake light: LED (integrated with lamp)  
Hazard lights: LED (integrated with lamp)  
Central tail lights: W3W 12V (E13)  
Mirror signal lights: LED (integrated with lamp)  
Registration plate light: LED

## FEATURES

Horn  
Rearview mirrors  
Hand brake  
USB Port  
Reverse camera  
Alarm  
Digital display  
MP3/MP4 player  
Remote control  
Backseat  
Bluetooth connection  
Sunroof



sales@veleco.pl



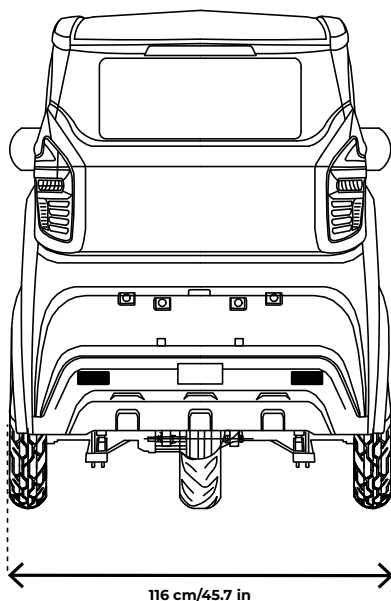
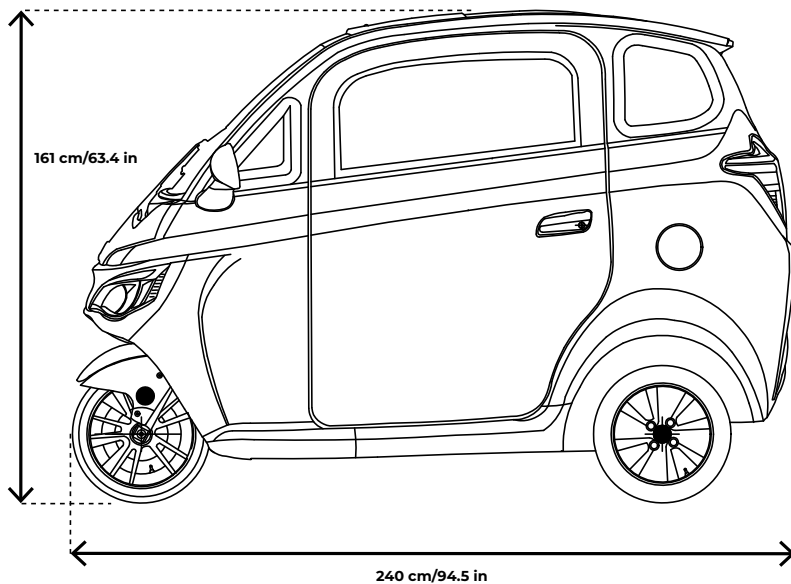
+48 34 350 80 44



veleco.eu

**veleco**  
Luxury Medical Devices

# ADVENA

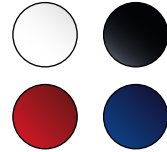




# SPARKY



available colours:



Veledo **SPARKY** is a two-seater electric moped, perfect for city riding with a speed of up to 45 km/h and a range of 70 km on a single charge. Its ultra-quiet operation and agility guarantee comfortable riding in busy cities. Equipped with full LED lighting, it ensures safety and visibility on the road. This moped stands out with its elegant design and ergonomic construction. **SPARKY** is the ideal choice for those looking for an eco-friendly alternative for daily commuting.

*The scooter comes **assembled and ready to go!*** 

# SPECIFICATIONS

## OVERVIEW

Max number of riders: 2  
Max user weight: 200 kg / 31.5 st  
Vehicle weight: 81 kg / 179 lbs  
Hill climbing ability: 30°  
Maximum range on single charge:  
70 km / 43.5 mi  
Speed of response: High  
Maximum speed: 28 mph / 45 km/h  
Acceleration system: Right-hand vehicle throttle  
Seat adjustment: No  
Suspension: Full  
Compliant with DVLA requirements: Yes  
Vehicle autonomy: Level 0  
Optimal air humidity for storage and use: 30%  
Working temperature of electronic parts: -10 °C to +40 °C

## MOTOR

Power: 2000 W  
Voltage: 60 V

## BATTERY

Type: Lithium-ion  
Capacity: 28 Ah  
Voltage: 60 V  
Life cycle: 600 full charges  
Charge time: ≈8 h

## BRAKES

Front: Hydraulic disc  
Rear: Hydraulic disc  
Magnetic brake: No

## WHEELS

Amount: 2  
Type of tyres: Pneumatic tubeless  
Size: 110-60-12  
Tyre pressure: 2.25 bar / 225 kPa / 32.5 PSI

## LIGHTS

Low beam headlight: LED (integrated with lamp)  
High beam headlight: LED (integrated with lamp)  
Tail lights: LED (integrated with lamp)  
Daytime running lights: LED (integrated with lamp)  
Signal lights: LED (integrated with lamp)  
Brake light: LED (integrated with lamp)  
Hazard lights: LED (integrated with lamp)  
Registration plate light: LED (integrated with lamp)

## FEATURES

Horn  
Rearview mirrors  
Steering wheel lock  
Digital display  
USB Port  
Alarm  
Remote control  
Kickstand



sales@veleco.pl



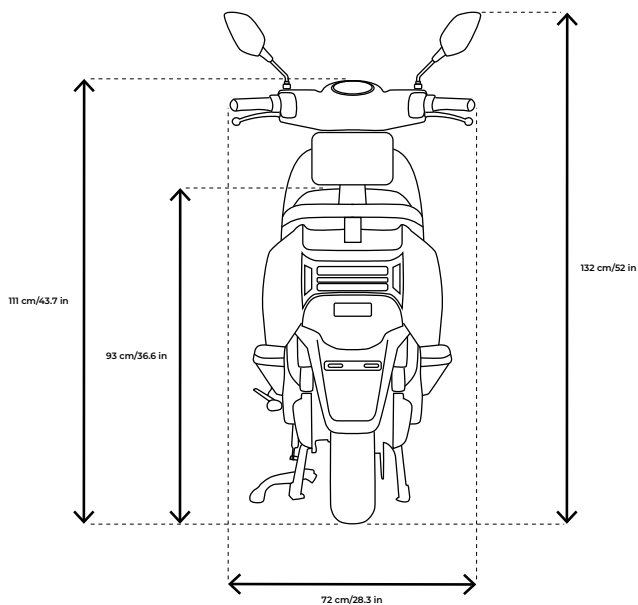
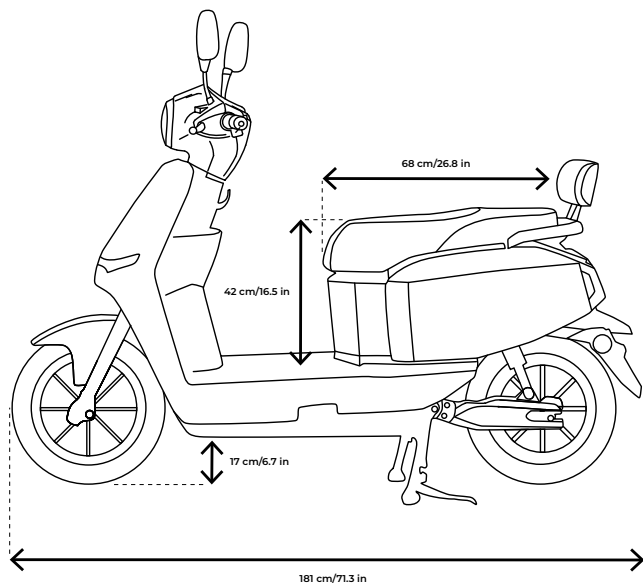
+48 34 350 80 44



veleco.eu

**veleco**  
Luxury Medical Devices

# SPARKY







# COSMO

available colours:



The ultimate solution for people who can't use a mobility scooter. **COSMO** is an electric wheelchair, easy to operate with as little as one finger. The joystick will respond to you immediately! Take back your independence and ride this one directly into your favourite shop or office you need to visit. **COSMO** is simple to fold, store and transport. It's the most affordable in its class – **COSMO** will expand your galaxy in an instant!

# SPECIFICATIONS

## OVERVIEW

Max user weight: 100 kg / 15.7 st  
Wheelchair weight: 30 kg / 66.1 lbs  
Hill climbing ability: 6°  
Maximum range on single charge: 15 km / 9.3 mi  
Speed of response: Medium  
Maximum speed: 4 mph / 6 km/h  
Acceleration system: Joystick  
Seat adjustment: No  
Vehicle class: Class A  
Optimal air humidity for storage and use: 30%  
Working temperature of electronic parts: 0°C to +40 °C  
Turning radius: 100 cm / 39.4"

## MOTOR

Power: 250 W\*2  
Voltage: 24 V\*2

## BATTERY

Type: Lithium-Ion  
Capacity: 13 Ah  
Voltage: 24 V  
Charge time: ≈5-8 h

## BRAKES

Rear: Electromagnetic  
Magnetic brake: Yes

## WHEELS

Amount: 4  
Type of tyres: PU and pneumatic  
Size: F 1.9-8", R 3.2-12"  
Tyre pressure: 2.2 bar / 220 kPa / 31.9 PSI

## FEATURES

Joystick  
Liftable armrests  
Anti-tipping safety wheels  
Easy folding  
Safety belt  
Footrest  
Side pockets  
Backrest pocket



[sales@veleco.pl](mailto:sales@veleco.pl)



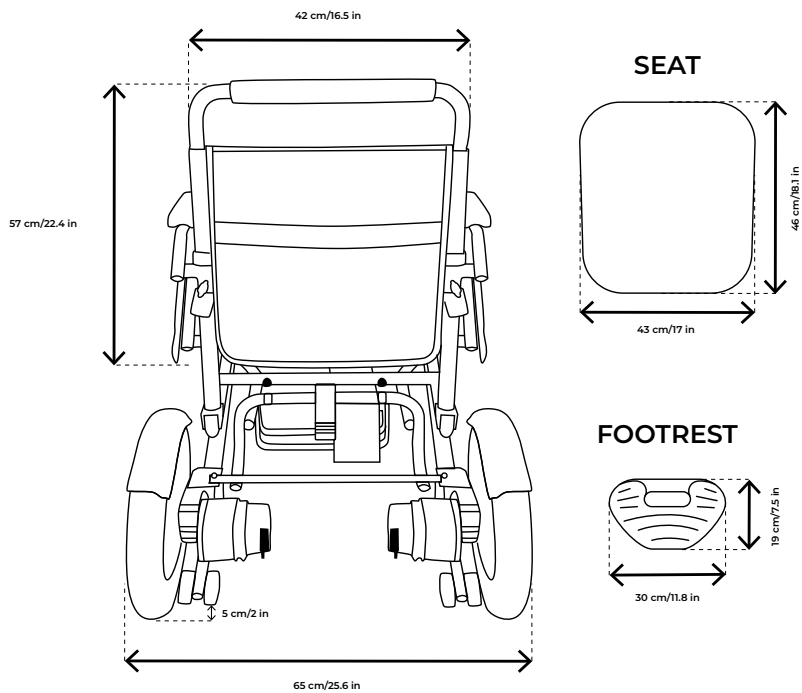
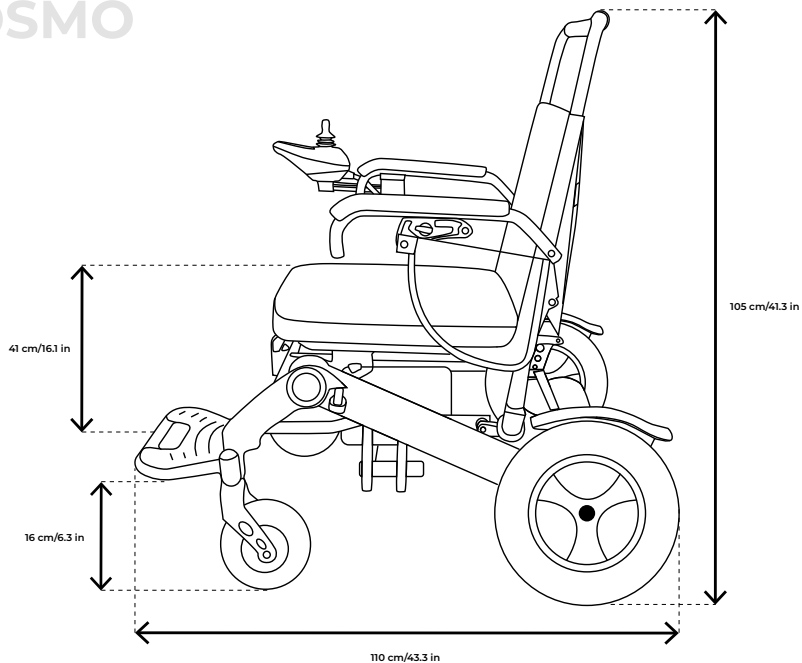
+48 34 350 80 44



[veleco.eu](http://veleco.eu)

**veleco**  
Luxury Medical Devices

# COSMO





# SPARE PARTS

You can order all the spare parts you need directly from our website: [shop.veleco.eu](https://shop.veleco.eu)



# OUR AUTHORISED RESELLER NETWORK



More details available at [veleo.eu/distributors/](http://veleo.eu/distributors/)



**veleco**

Luxury Medical Devices